

GSH 51 (Euro 0) Chainsaw



Documents

Engine

Starter assy

Tank and air filter

Chain cover and clutch

Crankcase

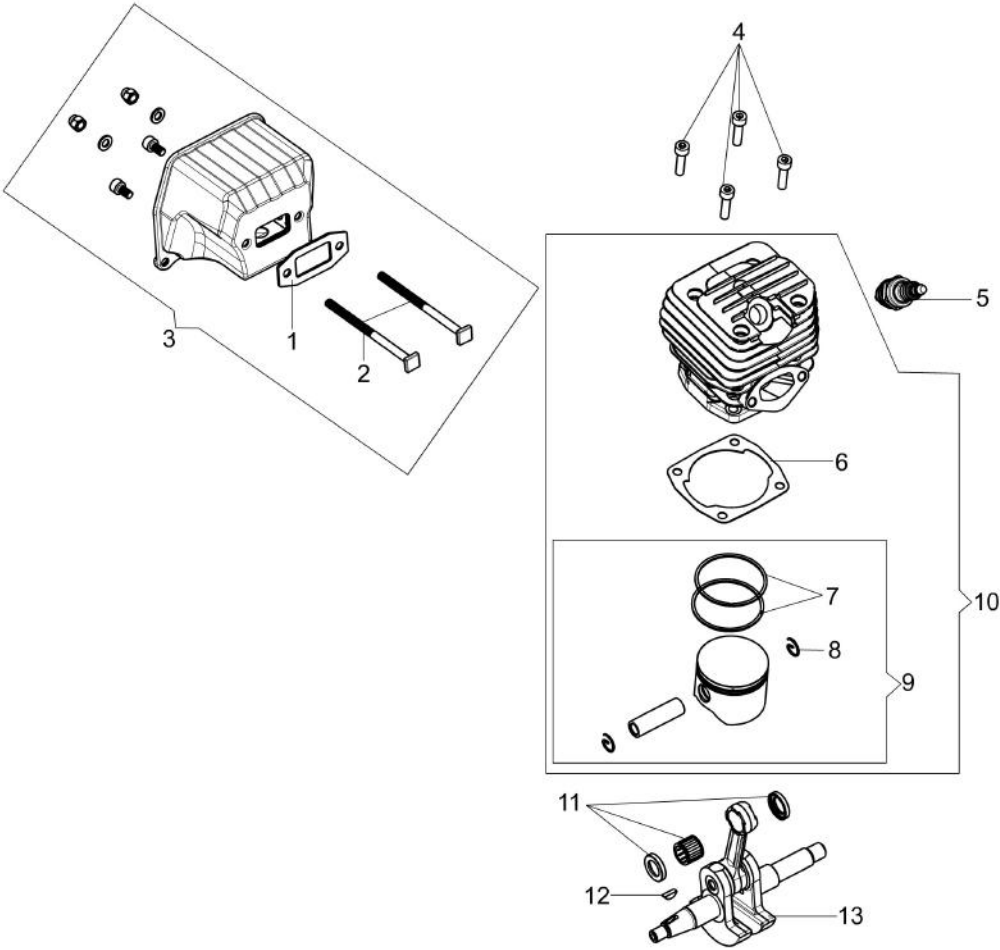


Illustration Engine

Ref.Nu	Qty	Part number	Description	Validity from	Validity till	Notes	Bulletin
1	1	50310061R	Gasket				
2	2	50310060R	Screw				
3	1	50312008R	Muffler assy				
4	4	3801086R	Screw				
5	1	3055104R	Spark plug				
6	1	50310076R	Gasket				
7	2	50310113R	Piston ring Ø45				
8	2	50310115R	Ring				
9	1	50312016R	Piston assy				
10	1	50310257	Complete cylinder				
11	1	50310259	Set roller cage and washer				
12	1	50310118R	Key				
13	1	50310152AR	Crankshaft				

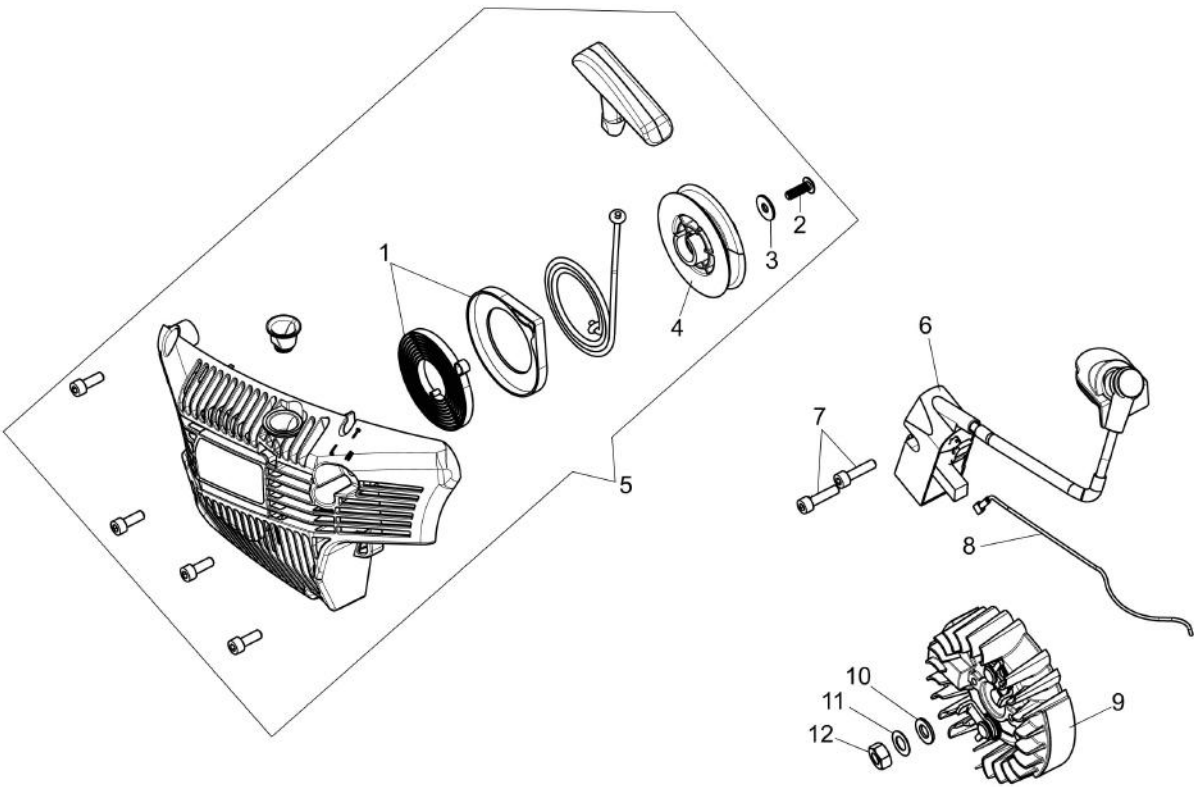


Illustration Starter assy

Ref.Nu	Qty	Part number	Description	Validity from	Validity till	Notes	Bulletin
1	1	50310260	Kit spring				
2	1	3960162R	Screw				
3	1	50310033R	Washer				
4	1	50310030R	Starter pulley				
5	1	50312004AR	Starter assy				
6	1	2501011AR	Ignition coil				
7		3801086R	Screw				
8	1	50310063R	Wire				
9	1	50310009R	Flywheel				
10	1	3916009R	Washer				
11	1	3833080R	Washer				
12	1	004000142R	Nut				

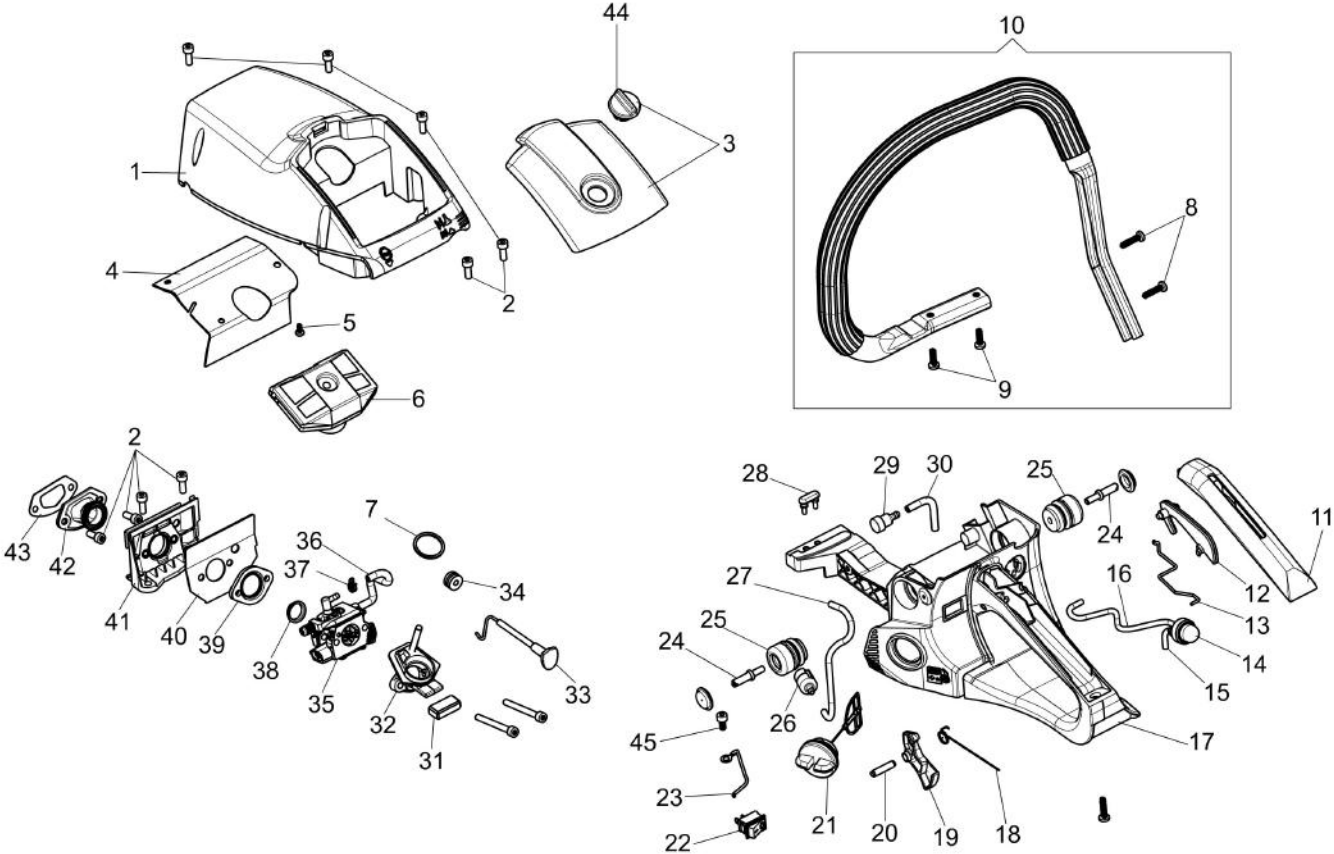


Illustration Tank and air filter

Ref.Nu	Qty	Part number	Description	Validity from	Validity till	Notes	Bulletin
1	1	50310041AR	Cover				
2	9	3801083R	Screw				
3	1	50310261	Air filter cover				
4	1	50310170R	Deflector				
5	3	3960167R	Screw				
6	1	50310272AR	Air filter				
7	1	50310155R	Gasket				
8	2	3960164R	Screw				
9	2	3960165R	Screw				
10	1	50312007R	Handle				
11	1	50310089AR	Cover				
12	1	50310090AR	Lever				
13	1	50310088R	Throttle rod				
14	1	2318817R	Air purge				
15	1	50310203R	Tube				
16	1	50310202R	Tube				
17	1	50310093BR	Tank assy				
18	1	50310091R	Spring				
19	1	50310092AR	Throttle lever				
20	1	3022039R	Locking sleeve				
21	1	50310165AR	Tank cap				
22	1	50310143AR	Switch				
23	1	50310144R	Cable				
24	2	50310087R	Special screw				
25	2	50310139R	AV-mount				
26	1	094600450R	Fuel filter				
27	1	50310205R	Fuel line				
28	1	50310140R	AV-mount				
29	1	50310309	Breather valve kit				
30	1	50310194R	Breather fuel pipe				
31	1	50310047R	Filter support				
32	1	50310048R	Air filter support				
33	1	50310042AR	Lever				
34	1	50310043R	Buffer				
35	1	2318659R	Carburetor WT-1212				
36	1	50310096R	Suction tube				
37	1	4098377R	Band				
38	1	50310050R	Ring				
39	1	50310051R	Flange				
40	1	50310052R	Gasket				
41	1	50310053R	Support				
42	1	50310008R	Manifold				
43	1	50310145R	Gasket				
44	1	50310037AR	Knob				
45	1	3801084R	Screw				

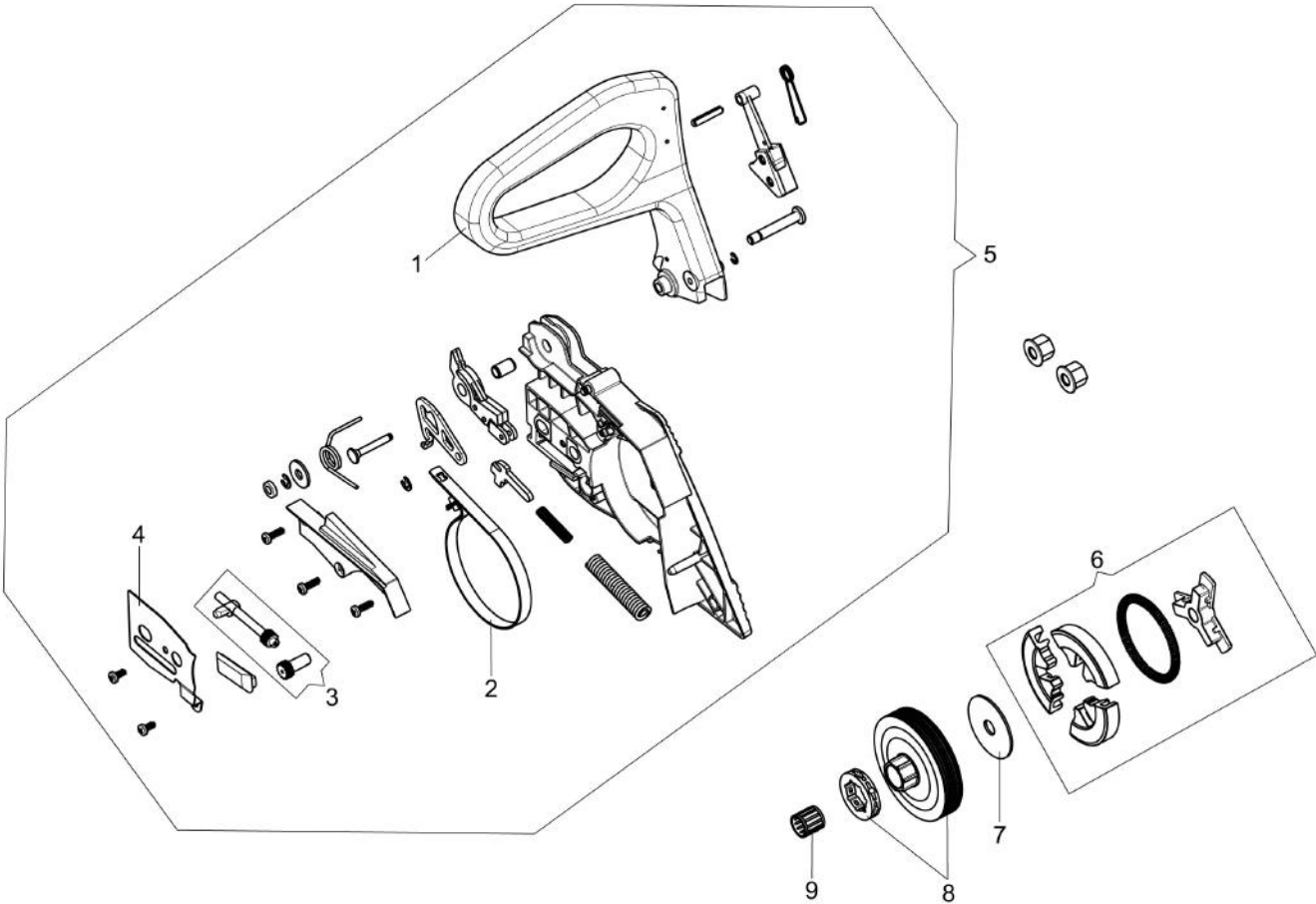


Illustration Chain cover and clutch

Ref.Nu	Qty	Part number	Description	Validity from	Validity till	Notes	Bulletin
1	1	50310017AR	Guard				
2	1	50310027R	Brake band				
3	1	50310263	Chain tensioner screw kit				
4	1	50310011AR	Plate				
5	1	50312003R	Chain cover assy				
6	1	50310004R	Clutch				
7	1	50310073R	Washer				
8	1	50310005R	Clutch drum			.325	
8	1	50310193R	Clutch drum			3/8	
9	1	3037041R	Thrust bearing				

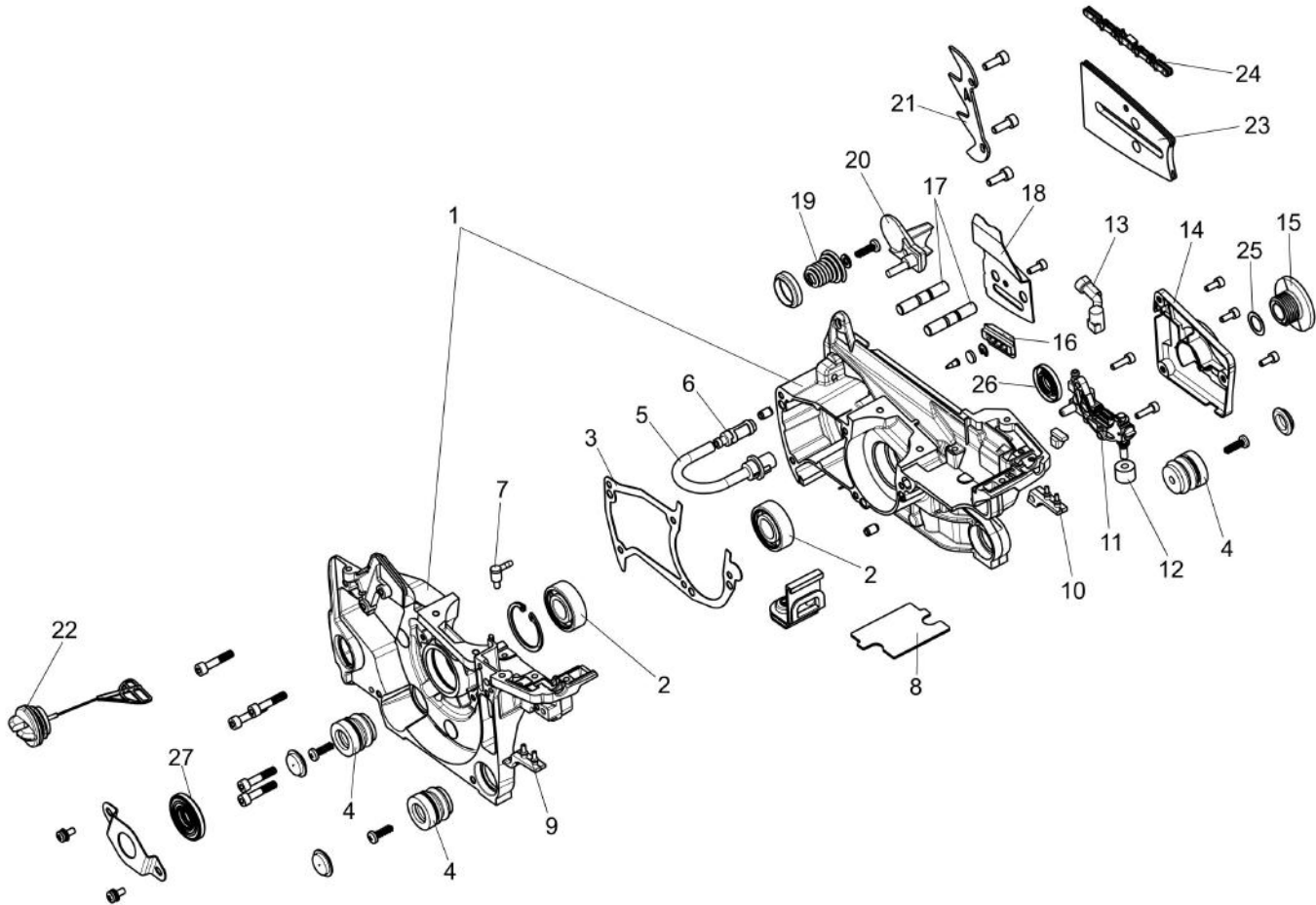


Illustration Crankcase

Ref.Nu	Qty	Part number	Description	Validity from	Validity till	Notes	Bulletin
1	1	50312017R	Crankcase assy				
2	2	3034035R	Bearing				
3	1	50310109R	Gasket				
4	4	50310084R	AV-mount				
5	1	50310078R	Suction tube				
6	1	50310079R	Oil filter				
7	1	50310101R	Fitting				
8	1	50310081R	Gasket				
9	1	50310104R	AV-mount				
10	1	50310103R	AV-mount				
11	1	50312002R	Oil pump				
12	1	50310080R	Sponge				
13	1	50310077R	Hose				
14	1	50310071R	Oil pump cover				
15	1	50310072R	Worm gear				
16	1	50310164R	Guard				
17	2	50310112R	Stud				
18	1	50310074R	Plate				
19	1	50310085R	Spring				
20	1	50310075R	Guard				
21	1	50310142R	Spike				
22	1	50310166AR	Oil cap				
23	1	50092020R	Bar 18" - 46 cm			3/8	
23	1	50310177R	Bar 20 - cm 51			3/8	
23	1	50310206R	Bar 18 - cm 46			.325	
23	1	50310207R	Bar 20 - cm 51			.325	
24	1	30629001A	Chain .3/8" x .058" (1,5mm)				
24	1	30629002	Chain .3/8" x .058" (1,5mm)				
25	1	50310169R	Washer				
26	1	3050053R	Seal ring				
27	1	3050054R	Seal ring				